

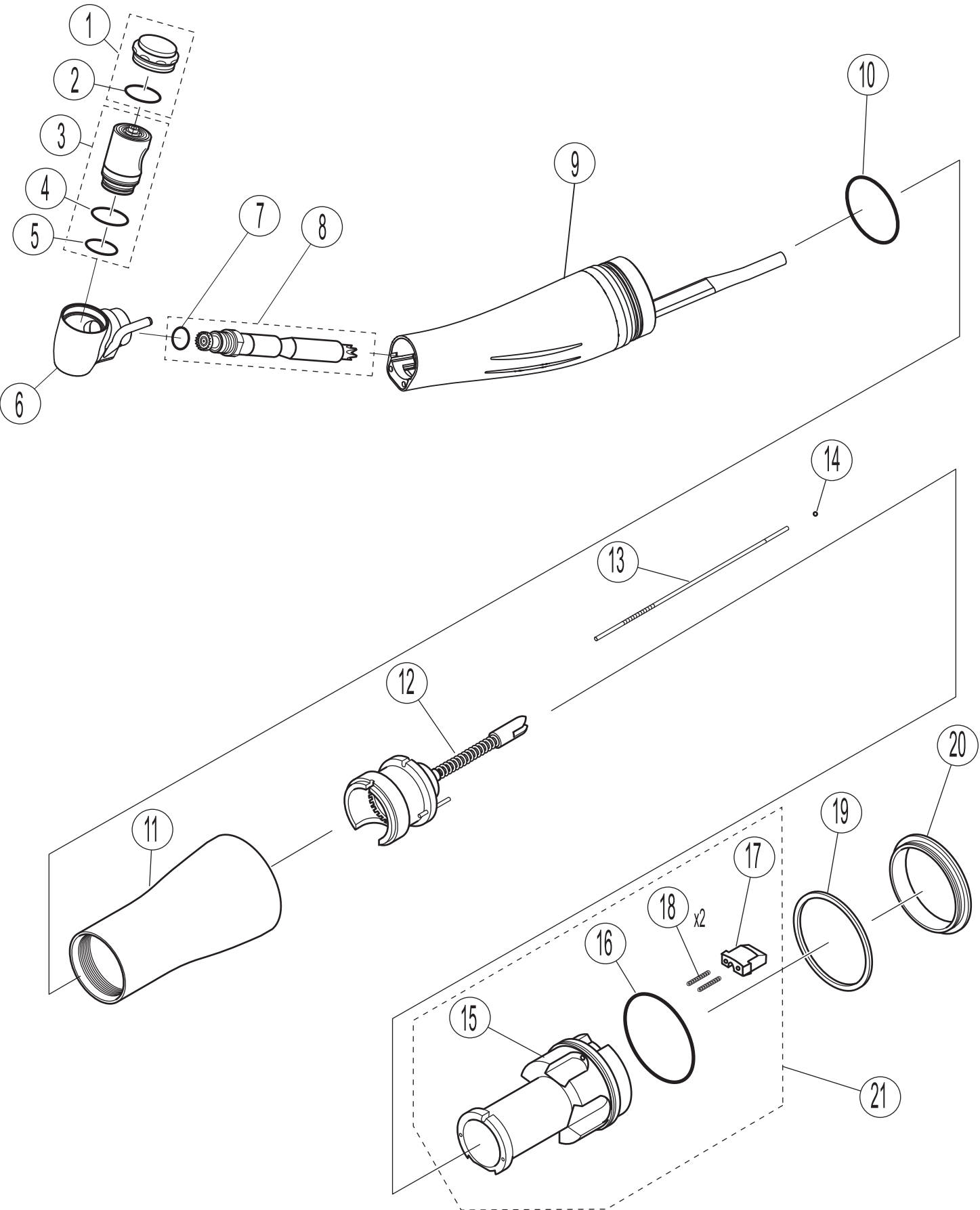
Products Name	X-SG93L / X-SG93	
Type		
Model Name/Products No.	X-SG93L	C1004001
	X-SG93	C1007001
Manufactured Period		

No.	PARTS No.	DESCRIPTION	Q'ty	REMARK
1	10000664	Head Cap	1	
2	0312082030	O-Ring	1	8.2 x 0.3
* 3	C1007150001	Cartridge	1	
4	0312069030	O-Ring	1	6.9 x 0.3
5	0312049030	O-Ring	1	4.9 x 0.3
6	10000268	Head Ass'y	1	
7	0312040080	O-Ring	1	4 x 0.8
8	10000269	Drive Shaft	1	
* 9	C1004060001	Elbow Ass'y	1	For X-SG93L(Not compatible with C1004060)
* 9	C1007060001	Elbow Ass'y	1	For X-SG93(Not compatible with C1007060)
10	0312125050	O-Ring	1	12.5 x 0.5
* 11	C600126A001	Grip Sleeve	1	Not compatible with C600126A
12	10000270	Dog Clutch	1	
13	C601230	Drive Shaft Retaining Pin	1	
14	0312063033	O-Ring	1	0.63 x 0.33
15	C609061	Rear Joint	1	For X-SG93L
	C619061	Rear Joint	1	For X-SG93
16	0312160050	O-Ring	1	16 x 0.5
17	C600A506	Locating Block	1	For X-SG93L
18	C600508	Spring	2	For X-SG93L
19	C600605	Collar Ring	1	
20	C600205A	Ring Retaining Screw	1	For X-SG93L
	C610205A	Ring Retaining Screw	1	For X-SG93
21	C609033	Rear Joint Ass'y	1	For X-SG93L
	C619033	Rear Joint Ass'y	1	For X-SG93

B-325-01

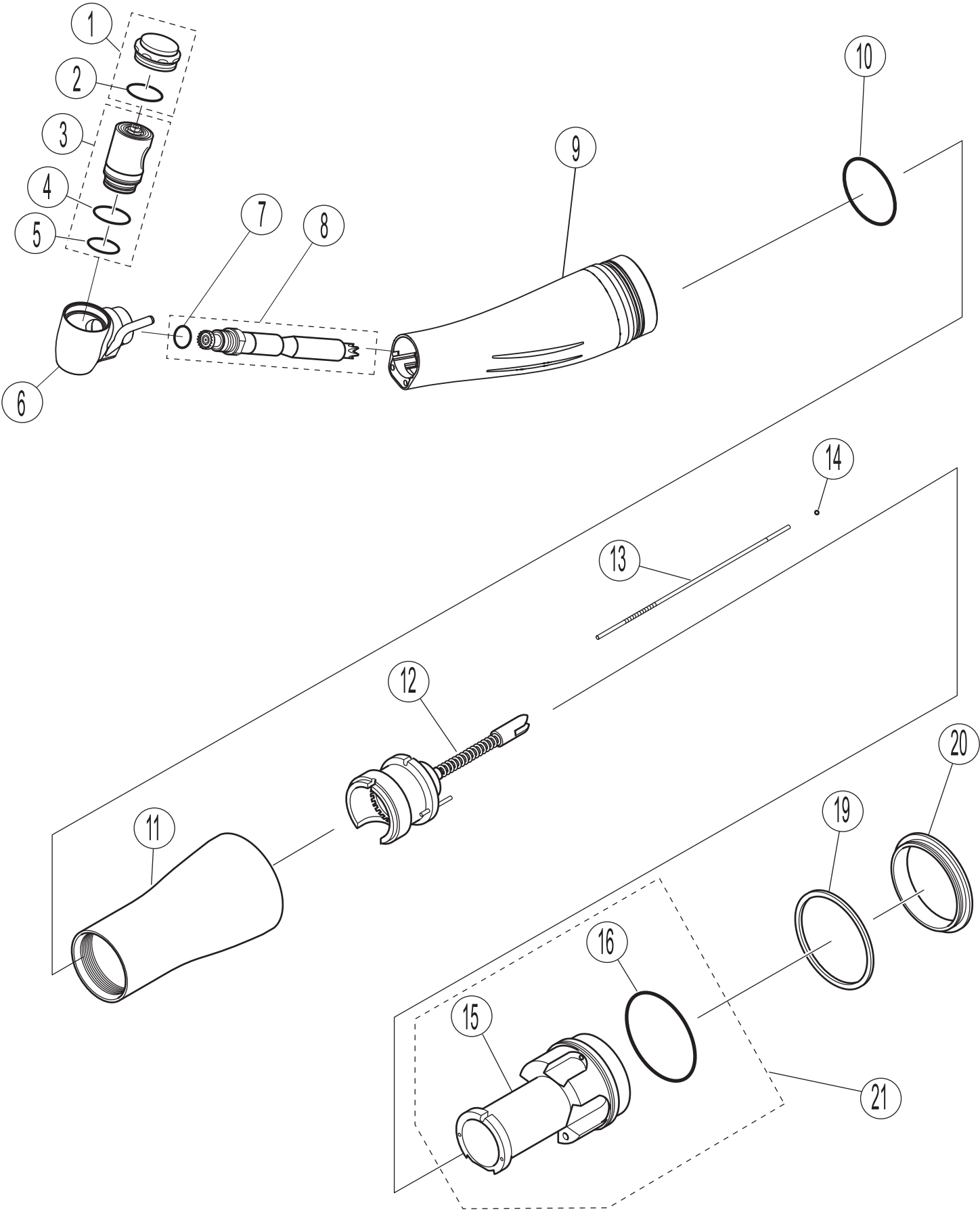
X-SG93L

(C1004001)



X-SG93

(C1007001)



B-325-01